



* Samsung Galaxy sold separately

User Guide

Model No.: GDI-GSD8200

The 'gracedigital' logo, with 'grace' in a bold, lowercase sans-serif font and 'digital' in a regular, lowercase sans-serif font, followed by a registered trademark symbol.

Important Safety Instructions and Warnings

Please read before installation

WARNING:

- To reduce the risk of fire or electrical shock, do not expose the product to rain or moisture.
- The product should not be exposed to any dripping or splashing liquid.
- Objects filled with liquids, such as vases, should not be placed on the product.
- No open flame sources, such as lighted candles, should be placed on the product.
- Keep the remote control battery or optional rechargeable battery away from children. It may cause a fire or a chemical burn if mishandled. Do not disassemble, heat above 100°C (212°F), or incinerate. Dispose of used batteries promptly. Replace only with a battery of the correct type and model number.

CAUTION:

1. Please retain these safety instructions for future reference.
2. Please follow these instructions. These instructions contain information for your safety.
3. Please heed the safety warnings on the product and in the user's guide. Failure to do so could result in injury or damage to the product.
4. Power source: the product can only be connected to a power supply of the type specified in the user's guide or as marked on the product. Do NOT use Alkaline batteries or any other rechargeable battery other than the Lithium ion battery designed for use with the product.
5. Power cord protection: protect the power cord from damage. Do not walk on the power cord. Please take care not to let the power cord become pinched, particularly at plug.
6. Water and moisture: the product should not be used near water (do not use near a bathtub, washbowl, kitchen sink, laundry tub, in a wet basement, a swimming pool, etc.)
7. Heat: keep the product away from heat sources such as radiators, heat registers, stoves or other appliances that produce heat.
8. Damage requiring service: product should be serviced by qualified service personnel if,
 - a) Power supply cord or the plug has been damaged: or
 - b) Objects have fallen or liquid has been spilled into the product: or
 - c) Product has been exposed to rain: or
 - d) Product does not appear to operate normally or exhibits a marked performance change:
 - e) Or the product has been dropped, or the enclosure damaged.
13. Servicing - the user should not attempt to service the product. All servicing should be referred to qualified service personnel.
14. Unplug the power adapter during lightning storms or when unused for long periods of time.

ADVISORY

This Product is intended for **North American markets**. The GDock (GDI-GSD8200) by Grace Digital is in compliance with the essential requirements and other relevant provisions of Directive 1999/5/EC

ADVISORY

FCC Compliance and Advisory Statement: This device complies with **Part 15** of the **FCC Rules**. Operation is subject to the following two conditions: 1) this device may not cause harmful interference, and 2) this device must accept any interference received, including interference that may cause undesired operation

NOTE: This equipment has been tested and found to comply with the limits for a Class B digital device, pursuant to **Part 15** of the **FCC Rules**. These limits are designed to provide reasonable protection against harmful interference in a residential installation. This equipment generates uses and can radiate radio frequency energy and, if not installed and used in accordance with the instructions, may cause harmful interference to radio communications. However, there is no guarantee that interference will not occur in a particular installation. If this equipment does cause harmful interference to radio or television reception, which can be determined by turning the equipment off and on, the user is encouraged to try to correct the interference by one or more of the following measures:

To comply with FCC RF exposure compliance requirements, a separation distance of at least 20 cm must be maintained between the antenna of this device and all persons. This device must not be co-located or operating in conjunction with any other antenna or transmitter.”

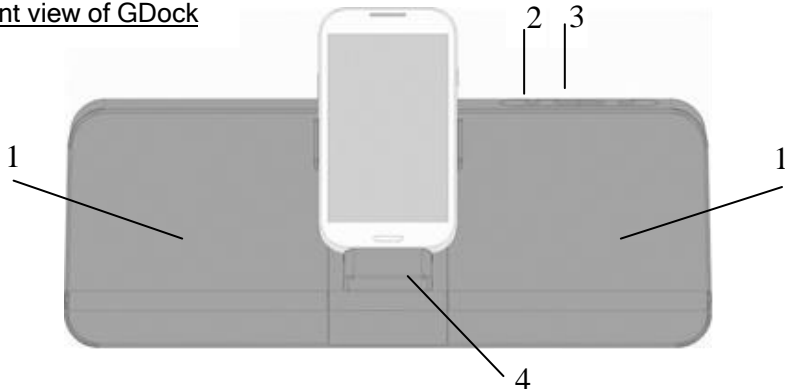
WARNING

This product may contain chemicals listed in **Proposition 65** (http://www.oehha.ca.gov/prop65/prop65_list/Newlist.html) that may be known to cause cancer, birth defects or other reproductive harm

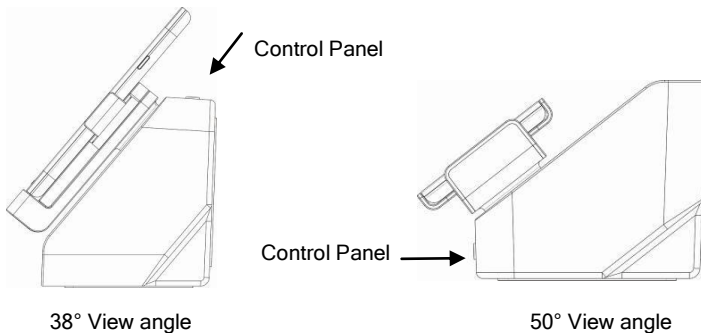
QUICKSTART GUIDE

Thank you for your purchase of the GDock, an audio & charging device designed for use with your Samsung Galaxy model. This guide provides review of the GDock's main audio & charging functions.

Front view of GDock



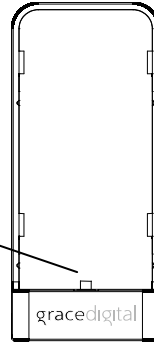
1. STEREO SPEAKERS: 2 - full range stereo speakers
2. LED LIGHT: Battery indicator status (refer to LED Status Indicator chart on page 8)
3. LED LIGHT: Power indicator status (refer to LED Status Indicator chart on page 8)
4. ROTATING DOCK: Gently twist dock (left or right) to view your Galaxy either horizontally or vertically. The main dock unit can also be turned on its back to further optimize your viewing angle.



CRADLE & USB Connector

1. To place the Galaxy properly in the cradle, slide your Samsung device from the top of the cradle, straight down through the arms of the cradle and gently insert the the micro USB jack connector into your device.

Micro USB
Jack Connector



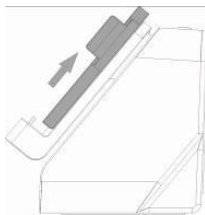
2. Once secure on the micro USB jack connector, the Galaxy's audio can transmit to the GDock speakers through the connector.

The Galaxy is also charged through the same micro USB connector.

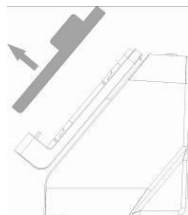
3. **POWER ON & OFF:** use the top panel buttons to turn the GDock ON & OFF
To turn your Samsung Galaxy ON & OFF use the buttons on your Galaxy

NOTE: * GDock is preinstalled with the S III cradle. The cradle can be removed and replaced with the cradle for the S II or Note.

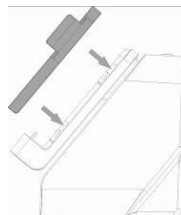
To remove the S III cradle attachment, push the cradle up to from the dock and replace with the desired S II or Note cradle by sliding down into place until fixed.



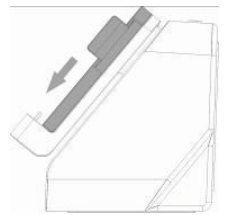
1a. push up



1b. remove

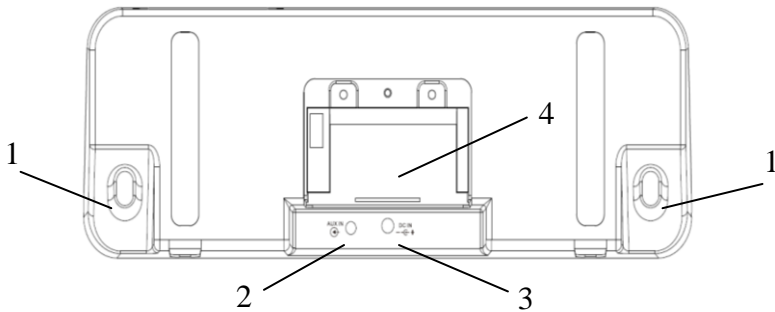


2a. replace

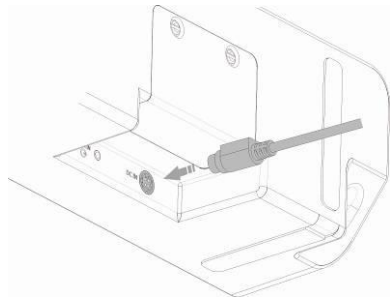
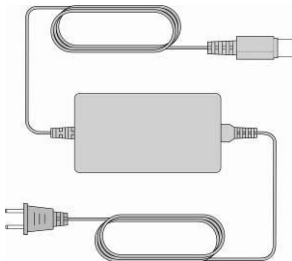


2a. slide down

Back view of GDock



1. **BASS PORTS:** Dual bass ports for extended bass performance of the front mounted stereo speakers.
2. **AUX IN:** Allows you to connect any audio source to play through the GDock such as an iPhone, iPad, Kindle, DX, Samsung Galaxy, etc.
3. **POWER CONNECTOR:** Connect the AC power adapter (included) into the GDock and the other end into a wall power outlet.
4. **BATTERY DOOR:** Access the internal battery compartment to install the optional lithium-ion rechargeable battery (sold separately) for up to 6 hours of portable use. **IMPORTANT:** Do NOT use Alkaline or alternative rechargeable batteries.



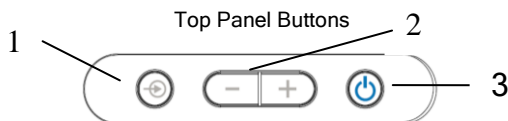
NOTE: The GDock will charge the Samsung Galaxy when the GDock is plugged into a wall power source. If the optional Li-ion rechargeable battery (sold separately) is installed, the GDock will charge the battery AND the Galaxy when the GDock is plugged into a wall power outlet. **HOWEVER,** when the GDock is powered by battery power only, the GDock will NOT charge the Galaxy.

IMPORTANT: your Samsung device Settings & Audio playthru

Be sure your Samsung device is set to play audio over a dock. To do so go to **'Settings'** on your device and select **'Accessory'** where you will find **Dock** selection options. Select **'Audio output mode'** by clicking in the box. IF not selected, audio will NOT play over your GDock. Optionally select **'Desk home screen display'** & **'Dock sound'** to show your Samsung device's home screen & to play sounds when inserting/removing your device from the dock.

Note: Samsung may periodically upgrade your Samsung device's software that may move Settings and other selection options to different locations on your device.

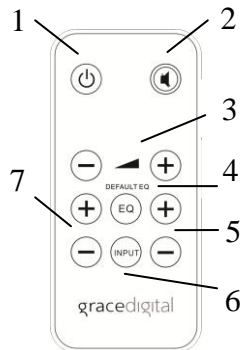
Top Panel of GDock



1. **INPUT BUTTON:** change the audio source from a docked Samsung Galaxy to an optional audio source plugged into the rear of the GDock using the AUX IN connection
2. **VOLUME CONTROL:** Press '-' to reduce the volume.
Press '+' to increase the volume.
3. **POWER BUTTON:** Press the GDock power button to turn the GDock ON & OFF
The button can also be used to put your audio on standby when playing.

Remote Control

1. **Power button:** Turns the GDock ON/OFF
2. **Mute:** Mute ON/OFF
3. **Volume:** Volume up '+', Volume down '-'
4. **Default EQ:** Reset to factory equalizer setting
5. **Bass:** Bass up '+', Bass down '-'
6. **Input:** Change audio from Aux in to Samsung Galaxy
7. **Treble:** Treble up '+', Treble down '-'



LED Status Indicator

| | | Battery LED | | Operational LED |
|-------------|-------------------|------------------|-------------------------|----------------------------|
| AC power in | Battery installed | Mode | Left LED (Orange/Green) | Right LED (Red/Blue) |
| YES | NO | Standby | | Steady |
| | | Power on | | Steady |
| | | Battery low | | |
| | | Battery charging | | |
| | | Battery full | | |
| | | Mute | | Flash |
| | | Vol. + | | Flash while button pressed |
| | | Vol. - | | Flash while button pressed |
| AC power in | Battery installed | Mode | Left LED (Orange/Green) | Right LED (Red/Blue) |
| YES | YES | Standby | | Steady |
| | | Power on | | Steady |
| | | Battery low | | |
| | | Battery charging | Steady | |
| | | Battery full | Steady | |
| | | Mute | | Flash |
| | | Vol. + | | Flash while button pressed |
| | | Vol. - | | Flash while button pressed |
| AC power in | Battery installed | Mode | Left LED (Orange/Green) | Right LED (Red/Blue) |
| NO | YES | Standby | | |
| | | Power on | | Steady |
| | | Battery low | Flash | |
| | | Battery charging | | |
| | | Battery full | | |
| | | Mute | | Flash |
| | | Vol. + | | Flash while button pressed |
| | | Vol. - | | Flash while button pressed |

IMPORTANT: Do NOT use Alkaline batteries or any other rechargeable battery other than the **Lithium-ion** battery designed for use with the product. Use the AC power adapter included with the G-Dock. Use the AC power adapter included with the G-Dock connection to a wall power outlet.

Specifications

- Class D digital amplifier, 16 watts
- 100-240V, 12V 2A switching power supply
- S/N ratio: 89dB
- Frequency response: 60Hz - 18kHz +/- 3dB
- Channels: 2 (stereo)
- Speaker drivers: 3" Full range x 2
- Dimensions: 13" x 3.8" x 4.3"
- Rechargeable Lithium-ion Battery Pack 7.4V DC, 2200mAh, 2S1P (sold separately)

What's in the box

- GDock unit
- UL approved AC power cord & adapter
- Remote control and remote control battery
- Aux in cable
- User Guide
- Sold separately: Rechargeable Lithium-Ion Battery (ACC-GSDLI) made for use with the GDock.

Warranty

Your GDock is supported by a limited manufacturer's warranty for guarantee against original defects in materials, manufacture and workmanship for one year from the date of purchase.

Under this warranty, repair of any defect or, at the company's discretion, replacement of the faulty component(s) without charge for parts or labor, is agreed. This warranty does not imply any acceptance by GDock, retailers or its agents for consequential loss or damage and specifically excludes fair wear and tear, accident, misuse of unauthorized modification.

This warranty is applicable in the United States only and does not in any way limit the customer's legal rights. Claims and enquiries under the warranty for Grace products purchased outside the USA should be addressed to the local importers or distributors. If you have reason to claim under the warranty please contact your dealer in the first instance. Please retain all original packaging materials for possible future use. We suggest that you complete details of purchase now and keep this information in a safe place for future reference. Grace Digital provides their Canadian, Central & South American dealers, distributors, and retailers with a 1 year warranty.

- Your **GDock** is supported by a limited manufacturer's warranty for product defects in material or workmanship that may be evident under normal use for 1 year from date of purchase from an authorized franchisee or dealer.

- The warranty stated herein is the only warranty applicable to this product. All other warranties, expressed or implied are hereby disclaimed and are limited by the written limited warranties contained herein. Except as provided herein, the manufacturer shall have no liability or responsibility to a customer or any other person or entity with respect to any liability, loss or damage caused directly or indirectly by use or performance of the product or arising out of any breach of this warranty, including, but not limited to, any damages resulting in inconvenience, loss of time, data, property, or profit or any indirect, special, incidental, or consequential damages, even if the manufacturer has been advised of the possibility of such damages.
- In the event of a product defect during the warranty period, return of the product and your sales receipt as proof of purchase date for your **GDock** unit is required and shall, at the discretions of the manufacturer, result in: (a) correction of the defect by repair without charge for parts and labor; (b) replacement with the same or similar design; or (c) refund for the purchase price if purchased directly from Grace Digital and returned within 30 days of purchase. All replaced parts and products, and products, on which a refund may be made, become the property of the manufacturer. New or reconditioned parts/ products should be warranted for the remainder of the original warranty period.
- **The warranty does not cover:**
 - (a) damage or failure caused by or attributed to acts of God, abuse, accident, misuse, improper installation or improper maintenance, alteration, lightning or excessive voltage or current;
 - (b) any repairs other than those provided by a **GDock** authorized service facility;
 - (c) consumables such as fuses or batteries;
 - (d) cosmetic damage;
 - (e) transportation, shipping or insurance costs;
 - (f) costs of product removal, installation, set-up, service adjustment or re-installation.
- Customers are responsible for any shipping costs related to product return, repair and/or refund.
- Warranty terms may be revised without notification at the discretion of the manufacturer.

Customer Service and Support

Thank you for your purchase. For questions regarding your product please visit us at:

www.gracedigital.com or contact us at: <http://www.gracesupport.com>



Visit us on Facebook



gdock is a creation of Grace Digital Inc. Designed in California, Assembled in China. All rights reserved. Samsung Galaxy, Note are trademarks of Samsung Inc. Grace Digital Inc., is not endorsed, sponsored, affiliated with or otherwise authorized by Samsung Inc.. iPod/ iTunes / iPhone / iPod Touch are a trademark Apple Inc. registered in the U.S. and other countries. Android and Android Market™ are trademarks of Google, Inc.