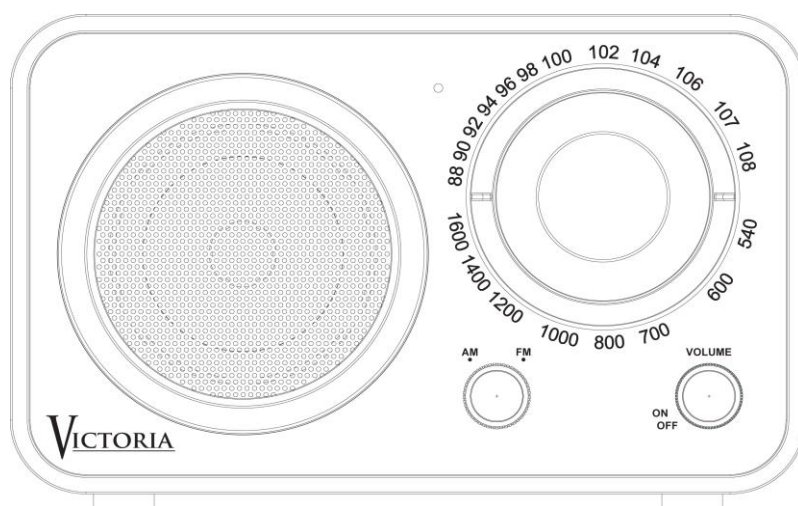


VICTORIA

by Grace Digital Audio



User Guide

LARGE DIAL AM/FM ANALOG RADIO

Model no.: GDI-LD3AA

RADIO SET UP & OPERATION

Power Supply Options

You may power your radio using connection to a fixed power outlet or x4 AA batteries for added portability.

1. To use a **power outlet**, connect the power cord to the socket on the back of the radio and plug the other end into a wall power outlet. Once connected, your radio is ready to power ON.
2. To use **battery power**, open the battery compartment and insert four new, commonly branded x4 AA batteries into the battery compartment. Be sure to properly align the positive and negative ends of each battery as indicated in the battery compartment. Once properly inserted, your radio is ready to power ON.

NOTE: To disconnect power entirely, pull the cord from the wall outlet & remove any batteries placed in the battery compartment.

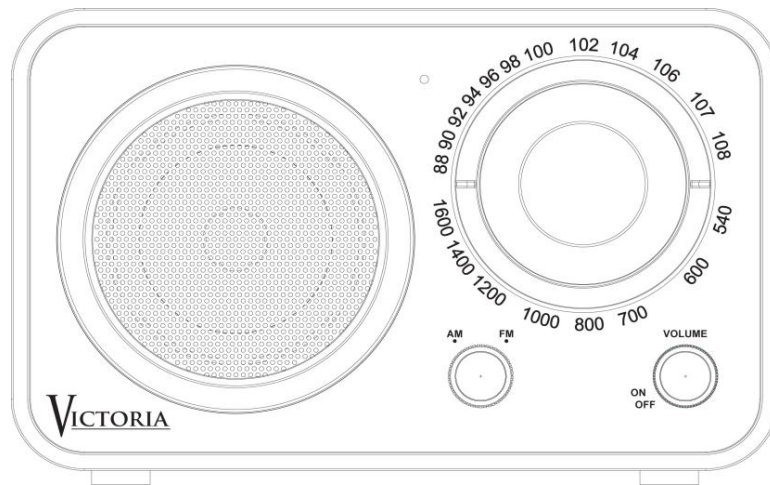
3. In the event AA batteries and the power cord connection to the outlet are used at the same time, the radio will default to draw from the power cord source.

Power ON / OFF

To turn ON, turn the Volume Knob clockwise (to the right) and the led indicator in the center area of the front panel will light up when powered ON.

To turn OFF, turn the Volume Knob counterclockwise (to the left) and the LED indicator in the center area of the front panel will fade out.

Front Panel View



AM FM Selections

Your radio allows you listen to your favorite local **AM FM** radio stations and offers an AUX-IN jack to listen to alternative audio sources over the unit's speaker system.

You can select from AM (530-1710 KHz) and FM (88-108 MHz) selections.

Turn the AM FM selector knob left to select AM and turn the selector knob right to select FM. Use the large dial tuning knob to select desired stations.

AUX-IN

To use the **Aux-in** selection, insert the connecting line from the audio out of an external audio device (connect the headset jack of an iPod or Smartphone, for instance) When plugged into the 3.5mm Aux-in jack the radio will default to the Aux-in audio selection.

NOTE: in order to listen to AM FM again, the line connected to the AUX-IN must be removed.

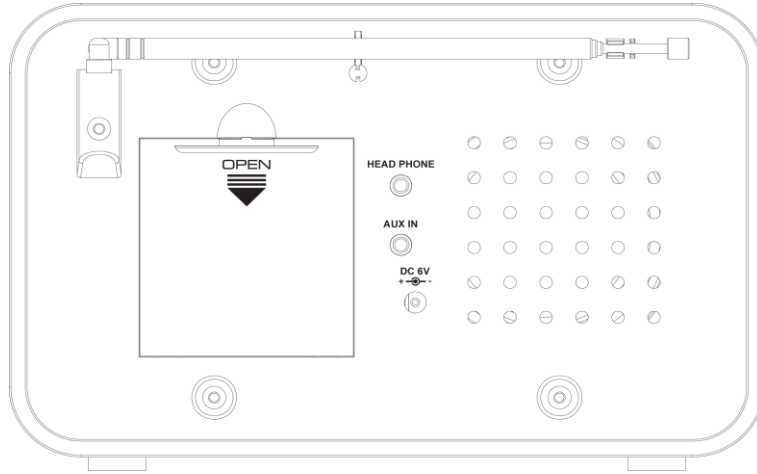
ANTENNA

The telescopic antenna is used to improve reception. Adjust the length of the antenna and the angle of the antenna for optimum reception.

HEADPHONE JACK

Headphone may be used to listen to audio in private. To use the headphone jack connect your 3.5mm ear bud or headset plug into the 3.5mm jack.

Back Panel View



SPECIFICATIONS

Power Source:	120V 60Hz
Frequency Range:	FM 88-108 MHz AM 530 – 1710 KHz
Speaker:	8 ohm
Power Output:	2W
Headset Jack Output:	32 ohm
Power Supply Options:	Power adapter, x4 AA batteries

SAFETY INFORMATION & ADVISORY

- Avoid use in direct sunlight or near alternative power or heat sources
- Avoid use in moist or wet environments
- Avoid use near other magnetized objects or devices
- Avoid use in ambient temperatures above 90 degrees Fahrenheit
- Avoid using headphones at high volumes to help prevent hearing damage while listening with headphones
- When cleaning the unit disconnect the unit from the wall power outlet and remove any batteries from the battery compartment.
- Use a soft, lightly moistened cloth to clean the unit
- Disconnect the radio from the wall power outlet and remove any batteries when not in use for extended periods of time to avoid power surge related damage

WARNING

To reduce the risk of fire or electric shock, do NOT expose this appliance to rain or moisture.

CAUTION

Do NOT open this unit – RISKS of ELECTRIC SHOCK
To reduce the risk of electric shock do NOT remove the outer cabinet. Refer servicing to authorized service personnel only.

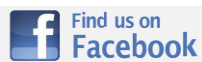
<p>WARNING</p> <p>This product may contain chemical listed in Proposition 65 http://oehha.ca.gov/prop65/prop65_list/Newlist.html that may be known to cause cancer, birth defects or other reproductive harm.</p>
<p>FCC Statement: This device complies with PART 15 of the FCC Rules. Operation is subject to the following two conditions: (1) This device may not cause harmful interference and (2) This device must accept any interference received, including interference which may cause undesirable operation</p>
<p>THIS PRODUCT COMPLIES WITH DHHS RULE 21 CFR SUBCHAPTER J IN EFFECT AT DATE OF MANUFACTURE</p>

WARRANTY & CUSTOMER SUPPORT

- Your Victoria Large Dial AM FM Radio (GDI-LD3AA) is supported by a limited manufacturer's warranty for product defects in material or workmanship that may be evident under normal use for 1 year from date of purchase from an authorized franchisee or dealer.
- The warranty stated herein is the only warranty applicable to this product. All other warranties, expressed or implied are hereby disclaimed and are limited by the written limited warranties contained herein. Except as provided herein, the manufacturer shall have no liability or responsibility to a customer or any other person or entity with respect to any liability, loss or damage caused directly or indirectly by use or performance of the product or arising out of any breach of this warranty, including, but not limited to, any damages resulting in inconvenience, loss of time, data, property, or profit or any indirect, special, incidental, or consequential damages, even if the manufacturer has been advised of the possibility of such damages.
- In the event of a product defect during the warranty period, return of the product and your sales receipt as proof of purchase date for your **GDI-LD3AA** unit(s) is required and shall, at the discretions of the manufacturer, result in: (a) correction of the defect by repair without charge for parts and labor; (b) replacement with the same or similar design; or (c) refund for the purchase price if purchased directly and returned within 30 days of purchase. All replaced parts and products, and products, on which a refund may be made, become the property of the manufacturer. New and reconditioned parts and products should be warranted for the remainder of the original warranty period.
- **The warranty does not cover:**
 - (a) damage or failure caused by or attributed to acts of God, abuse, accident, misuse, improper installation or improper maintenance, alteration, lightning or excessive voltage or current;
 - (b) any repairs other than those provided by a **GDI-LD3AA** authorized service facility;
 - (c) consumables such as fuses or batteries;
 - (d) cosmetic damage;
 - (e) transportation, shipping or insurance costs;
 - (f) costs of product removal, installation, set-up, service adjustment or re-installation.
- Customers are responsible for any shipping costs related to product return, repair and/or refund.
- Warranty terms may be revised without notification at the discretion of the manufacturer.

Customer Service & Support

For questions regarding your product please visit us at: www.gracedigitalaudio.com OR contact us at: gracesupport.com and click on Submit Email between 9am-4pm Monday to Thursday PST & Friday 9am-12pm



<http://www.facebook.com/gracedigitalaudio>